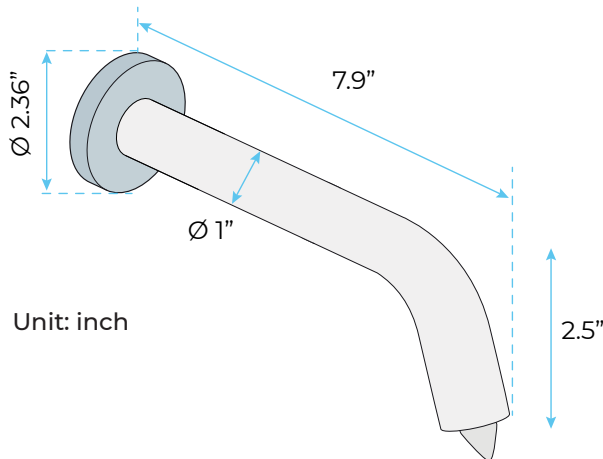


# CARPI BRUSHED GOLD FINISH SOLID BRASS WALL MOUNT COMMERCIAL AUTOMATIC TOUCHLESS COMMERCIAL SOAP DISPENSER SPECIFICATIONS

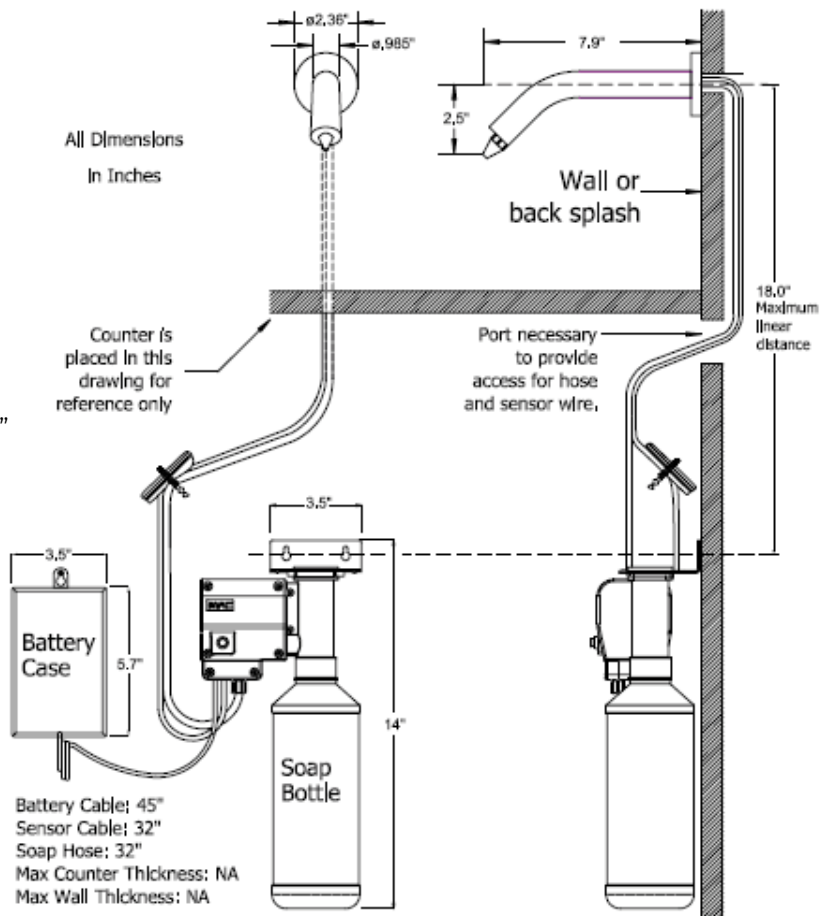


Spout: Solid Brass tube  
 Power: 4 (D) Batteries / AC Adapter Optional  
 Soap Pump: 6 Volt PERISTALTIC Pump System  
 Counter Accommodation: Accommodates counter Thickness up to 2"  
 Sensor type: Active Infrared, Self Adjusting  
 Sensing Range: 2" to 6" Adjustable with optional remote control  
 Working Soap: Standard liquid Soap. NO Grit (industrial) Soap  
 Soap Bottle Capacity: 800ML (Just Under a quart) optional 1 gallon containers  
 Soap Amount Per Use: 0.5ML to 1.5ML

## Size



## Overview



All dimensions and specifications are nominal and may vary. Use actual products for accuracy in critical situations.